

BOONE AERATION & ENVIRONMENTAL CORP.



The BC/BAF series of fans are designed to provide very efficient, non-overloading operation over a wide airflow range. The BC is a backwardly inclined flat blade design. Applications include dust collectors, dryers, aeration of products or applications where the airstream contains minor contamination. The BAF is a premium efficient airfoil fan design. BAF fans are excellent for clean air applications such as dehydrating and ventilation.

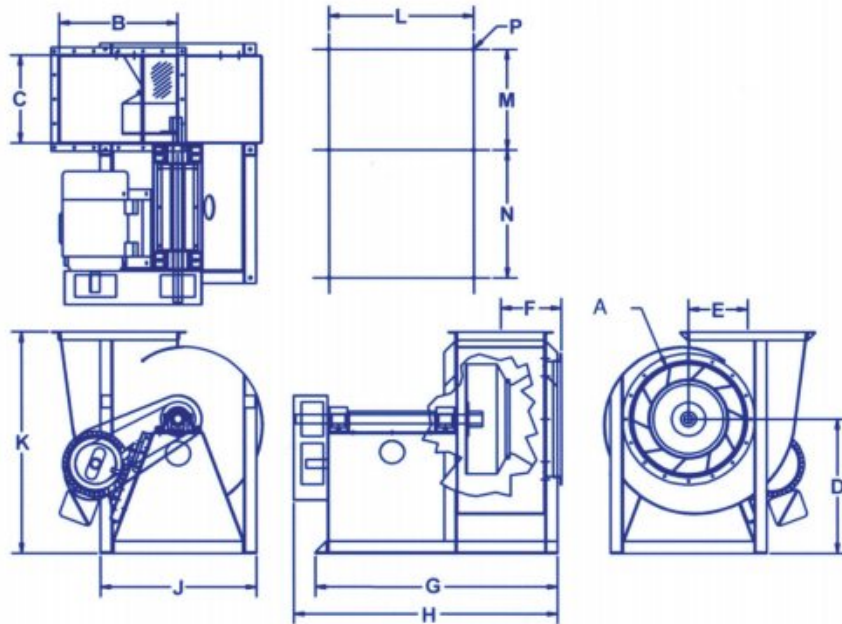


BC Wheel



Unitary Base





STANDARD SPECIFICATIONS

- Full welded carbon steel construction
- Flanged inlet and outlet
- 230 / 460 / 60 / 3 TEFC motor
- V-belt drive with 1.5 service factor
- Class III wheel
- Spherical roller bearings
- Safety blue belt and shaft guards
- Standard metal preparation
- Primed and painted industrial white enamel

OPTIONS

- Class I thru IV wheels available
- Special paints and coatings

MODEL	A	B	C	D	E	F	G	H	J	K	L	M	N	P
122	12	13 1/8	9 7/8	20 3/4	6 9/16	8 15/16	34 1/4	37 1/4	20 1/8	30 1/2	18 3/8	12 1/8	20 3/8	7/16
135	14	14 7/16	10 15/16	23 1/2	7 1/4	9 1/2	40 3/4	44 1/2	21 1/8	34 1/4	19 3/8	13 3/16	25 13/16	7/16
150	15	16	12 1/16	23 3/4	8	10 1/16	41 7/8	45 5/8	22 5/8	35 11/16	20 7/8	14 5/16	25 13/16	7/16
165	17	17 9/16	13 5/16	23 3/4	8 3/4	11	41 5/8	46 9/16	25 1/4	36 7/8	22 1/2	15 5/8	22 3/4	7/16
182	19	19 1/2	14 5/8	26 1/2	9 3/4	11 3/8	46 5/8	50 7/8	26 1/4	41	24 3/4	16 7/8	28	9/16
200	20	21 5/16	16	29 1/2	10 5/8	12	49 1/2	55	28 7/8	45 5/16	27 1/8	18 1/4	29 1/2	9/16
222	24	23 11/16	17 3/4	30	11 13/16	13 1/8	53 15/16	58 11/16	33 5/8	47 11/16	30 7/8	21	30	9/16
245	25	25 13/16	19 1/4	30 1/4	13 7/8	13 13/16	55 5/8	60 1/8	35 1/8	49 3/4	32 3/8	22 7/8	30	9/16
270	28	28 1/2	21 13/16	33	14 7/16	14 13/16	59	64 3/4	38	54 7/16	35 1/4	24 13/16	31 7/16	11/16
300	32	31 13/16	23 15/16	33 1/2	16	16	61 5/8	67 3/8	42 3/8	57 5/16	39 5/8	27 3/16	31 11/16	13/16
330	34	35 5/16	26 3/16	34	17 11/16	16 1/8	63 7/8	69 5/8	45 1/2	60 1/4	42 3/4	29 7/16	31 11/16	13/16
365	38	38 7/8	29	37 1/2	19 1/4	18 1/2	73 3/8	80 7/8	49	66 1/2	46 1/4	32 1/8	38 1/2	13/16
402	40	42 13/16	31 15/16	40 1/4	21 7/16	20	83 1/16	91 1/16	52 7/8	72 1/4	50 1/8	35 3/16	45 3/16	13/16
445	45	46 15/16	34 15/16	41	23 11/16	20 5/8	86 7/16	94 7/16	56 5/8	76 3/8	53 7/8	38 5/16	45 3/16	13/16
490	48	52 1/8	38 3/4	44	26 1/16	23 3/8	89 5/8	98 7/8	61 1/2	83	58 3/4	42	44 7/8	13/16
542	56	57 9/16	43	49	28 13/16	25 1/2	96 3/4	104 1/4	69 3/4	92 1/16	66	47 1/4	45 1/2	13/16
600	60	63 11/16	47 7/16	54	31 7/8	27 3/4	101 1/4	108 3/4	76 1/4	101 11/16	72 1/4	51 7/16	45 13/16	13/16
660	66	69 7/8	52 5/16	59	34 15/16	29 3/16	111 1/4	116 11/16	87 5/16	111 1/2	84 3/16	59 3/4	48 5/16	13/16
730	76	77 3/8	57 11/16	64 1/2	38 11/16	31 7/8	116 1/2	119 7/8	94 1/2	122 1/2	91 3/8	65 1/8	48 1/4	13/16
807	82	85 9/16	63 3/4	72	42 3/4	34 7/8	122 1/2	128 3/16	102 7/8	136 1/4	99 3/4	71 1/8	48 5/16	13/16

NOT FOR CONSTRUCTION

Boone Aeration & Environmental Corp.
 P.O. Box 369 ~ 1773 219th Lane ~ Boone, IA 50036 USA
 (515) 432-2010 ~ (800) 265-2010 ~ FAX (515) 432-5262